

Totalpac2 Seismic Option



Seismic option qualifications

The Totalpac2 seismic option is qualified in accordance with:

- International Building Code, 2006 Edition
- California Building Code, 2007 Edition
- ASCE Standard 7, 2005 Edition
- OSHPD CAN 2-1708A.5, Rev. 3
- ICC-ES AC-156

Totalpac2 seismic option is OSHPD pre-approved under OSP-0104-10.

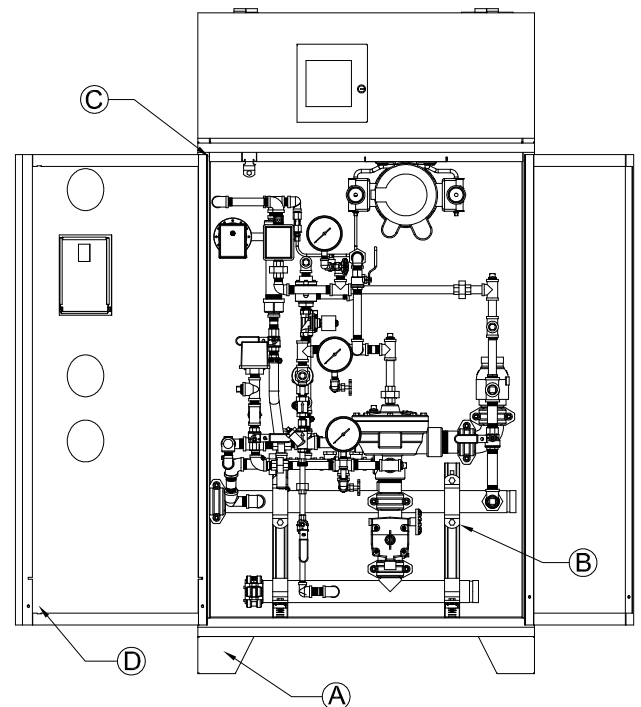
Assumptions: Location: Portageville, Missouri (Highest max considered EQ Found), Site Class "D", Occupancy CATEGORY IV, Importance Factor I=1.50, SDC "D", LATITUDE (+) 36.45894 LONGITUDE (-) 89.70453

Seismic option Description

The seismic option is available with the following: Preaction, Deluge, Surefire, Firecycle III, Dry and Wet Integrated Fire Protection Systems on a skid base OR on a skid base with a cabinet, anchored at the base.

Seismic option specific features

- A:** Welded metal base with square washers (Washers supplied with system).
- B:** For skid base with a cabinet, system valve and trim are bolted on channel fixed to the base and to the back of the cabinet. For skid base, system valve and trim are bolted on channel fixed to the base.
- C:** Cabinet panels assembled with bolts and locknuts
- D:** Door hinges and closing rods designed for seismic applications.

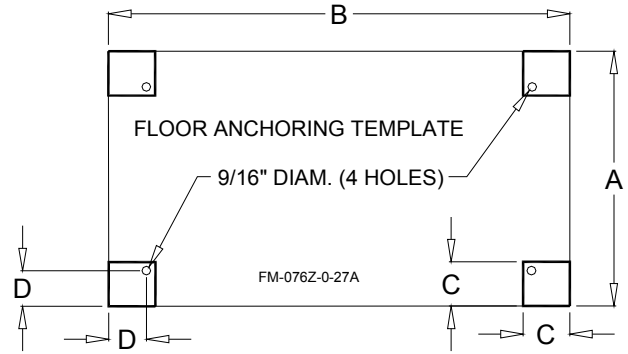
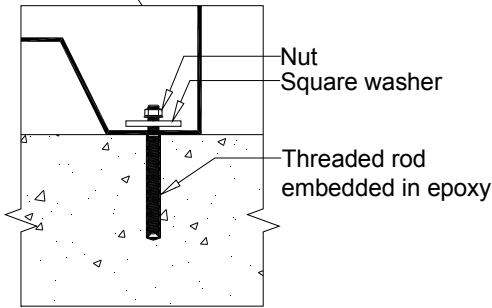
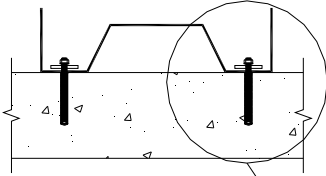


Totalpac2 Seismic Option

Installation details

In all cases use 3,000 psi concrete with Simpson set-xp epoxy adhesive per ICC-ESR-2508. Otherwise, anchoring calculation is required by Professional Engineer.

System	anchor Ø a307 threaded rod	embedment depth	concrete thickness
Totalpac2	1/2"	4-1/2"	7"



System size	A	B	C	D
1-1/2"	20"	36"	4"	2-3/4"
2"	20"	36"	4"	2-3/4"
3"	20"	36"	4"	2-3/4"
4"	24"	46"	4"	2-3/4"
6"	24"	46"	4"	2-3/4"

Ordering instruction

The entire Totalpac2 product line with seismic option must be ordered using part number **T2SEISMIC1** as described in the Configuration / Order form FM-072M-0-317E.

FM-076D-0-7A